

## Application

Designed for indoor or outdoor use to house electrical and electronic controls, instruments and components in areas that may be regularly hosed down or are in very wet conditions. Non-corrosive, UV resistant polycarbonate enclosure with clear covers. Provides protection from dust, dirt, oil and water. For installation information, consult our installation manual at [www.saginawcontrol.com](http://www.saginawcontrol.com).

## Construction

- Impact Resistant Polycarbonate.
- Clear cover.
- Brass inserts for securing mounting feet.
- Polycarbonate external mounting feet included.
- Pour in place oil and water resistant gasket.
- Polycarbonate quick release latches.
- Polycarbonate hinges.
- Polycarbonate hasp and staple for padlocking.
- 10-32 standoffs provided for mounting optional panels.
- Multiple bosses for easy installation of devices and DIN rails.

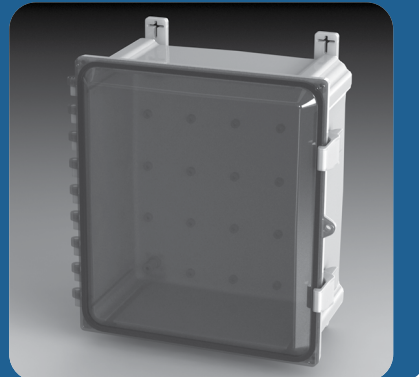
## Finish

RAL 7035 Light Gray Polycarbonate

## IS6 Industry Standards

NEMA Type 3R, 4, 4X, 12 & Type 13  
UL Listed Type 3R, 4, 4X & 12  
CSA Type 3R, 4, 4X & 12  
IEC 60529 IP66

\*\*\*To maintain Type 3R listing, drainage is required. Install equally rated drainage device or drill a 1/8 to 1/4 inch hole in the bottom center of the enclosure, approximately 1 inch from the right, and 1 inch from the left for drainage, use listed rain-tight or wet location hubs. Drip shield over the door is recommended for all outdoor applications.



334

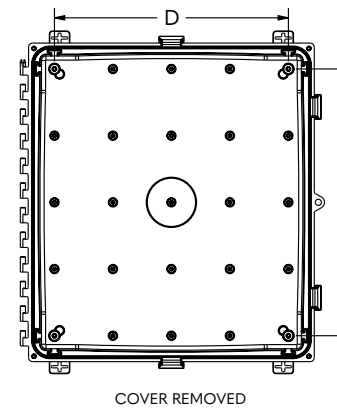
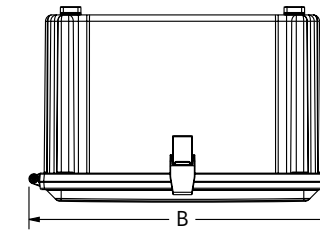
Enclosure Product Code F1

Catalog No.	Height (A)	Width (B)	Depth (C)	Industry Standard
<a href="#">SCE-606PCW</a>	7.41	8.68	5.84	IS6
<a href="#">SCE-806PCW</a>	9.41	8.68	5.86	IS6
<a href="#">SCE-808PCW</a>	9.41	9.41	5.86	IS6
<a href="#">SCE-1008PCW</a>	11.41	10.68	6.36	IS6
<a href="#">SCE-10086PCW</a>	11.41	9.41	7.39	IS6
<a href="#">SCE-1010PCW</a>	11.41	11.41	6.47	IS6
<a href="#">SCE-1210PCW</a>	13.40	12.68	7.86	IS6
<a href="#">SCE-1412PCW</a>	15.40	14.68	7.86	IS6
<a href="#">SCE-1614PCW</a>	17.65	16.68	9.98	IS6
<a href="#">SCE-1816PCW</a>	19.41	18.68	11.90	IS6
<a href="#">SCE-18164PCW</a>	19.41	17.41	5.41	IS6
<a href="#">SCE-2424PCW</a>	25.40	26.68	11.41	IS6

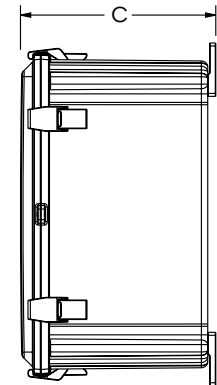
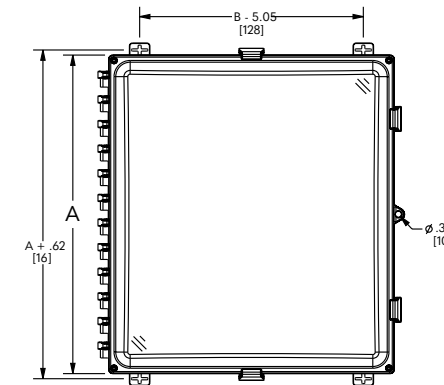
Subpanel (F2)

Catalog No.	Material	Panel Height (D)	Panel Width (E)
<a href="#">SCE-6P6</a>	White Powder Coated Steel	5.00	5.00
<a href="#">SCE-6P6AL</a>	Aluminum	5.00	5.00
<a href="#">SCE-8P6</a>	White Powder Coated Steel	7.00	5.00
<a href="#">SCE-8P6AL</a>	Aluminum	7.00	5.00
<a href="#">SCE-10P8</a>	White Powder Coated Steel	9.00	7.00
<a href="#">SCE-10P8AL</a>	Aluminum	9.00	7.00
<a href="#">SCE-12P10</a>	White Powder Coated Steel	11.00	9.00
<a href="#">SCE-12P10AL</a>	Aluminum	11.00	9.00
<a href="#">SCE-14P12</a>	White Powder Coated Steel	13.00	11.00
<a href="#">SCE-14P12AL</a>	Aluminum	13.00	11.00
<a href="#">SCE-16P14</a>	White Powder Coated Steel	15.00	13.00
<a href="#">SCE-16P14AL</a>	Aluminum	15.00	13.00
<a href="#">SCE-18P16PC</a>	White Powder Coated Steel	16.88	14.88
<a href="#">SCE-18P16AL</a>	Aluminum	16.88	14.88
<a href="#">SCE-24P24PC</a>	White Powder Coated Steel	22.75	22.75
<a href="#">SCE-24P24PCAL</a>	Aluminum	22.75	22.75

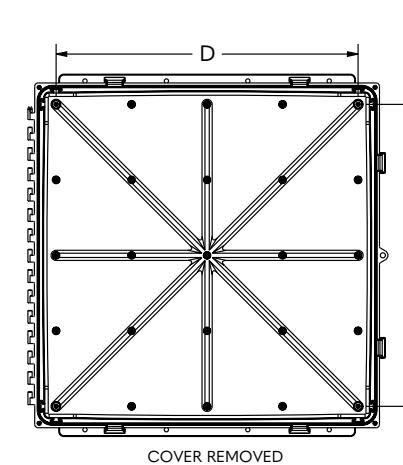
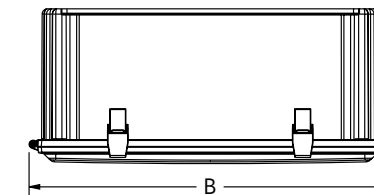
LATCHING NOTES:  
ENCLOSURES < 10.00 [254] IN HEIGHT REQUIRE ONE LATCH CENTERED IN THE DOOR VERTICALLY.  
OMIT CENTER LATCH TOP AND BOTTOM OF DOOR WHEN WIDTH < 16.00 [406].



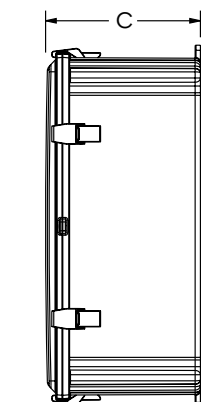
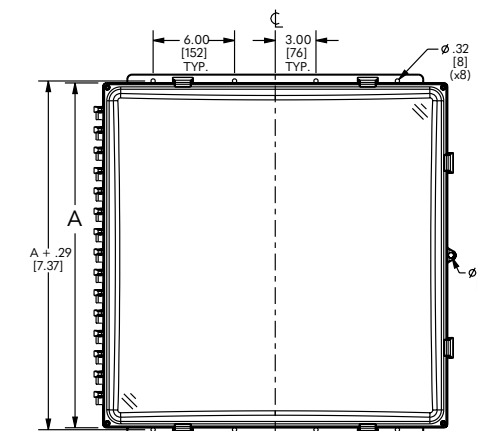
COVER REMOVED



## SCE-2424PCW



COVER REMOVED



335